



Declaration of WEEE Compliance

WEEE Compliance Statement:

We TSC AUTO ID Tech. hereby declares the indicated thermal printers meet the acceptance criteria of 2012/19/EU (Waste Electrical and Electronic Equipment Directive). The recycle rate and recovery rate of our thermal printer is at least 65% and 75%.

Type of Product : Thermal Printer

Manufacturer's Name : TSC AUTO ID Technology Co., Ltd.

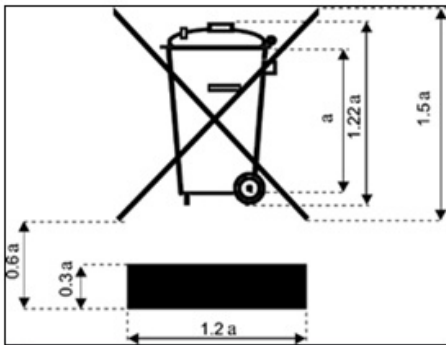
Manufacturer's Address : 9F., No.95, Minquan Rd., Xindian Dist., New Taipei City 231, Taiwan (R.O.C.)

Model Designation:

Item	Model No	Description
1	Alpha-2R series	Thermal Printer
2	Alpha-3R series	Thermal Printer
3	Alpha-4L series	Thermal Printer
4	TDP-225 series	Thermal Printer
5	TTP-225 series	Thermal Printer
6	TDP-244 series	Thermal Printer
7	TDP-247 series	Thermal Printer
8	TTP-247 series	Thermal Printer
9	TX200 series	Thermal Printer
10	MB240 series	Thermal Printer
11	ML240 series	Thermal Printer
12	MH240 series	Thermal Printer
13	MH261 series	Thermal Printer
14	MX240 series	Thermal Printer
15	TTP-286MT series	Thermal Printer
16	TDM-30 series	Thermal Printer
17	PEX-1000 series	Print Engine
18	KP-200 plus series	Keyboard
19	T800 series	Thermal Printer
20	T4000 series	Thermal Printer
21	T6000e series	Thermal Printer
22	T8000 series	Thermal Printer

23	DA210 series	Thermal Printer
24	Alpha-30RB series	Thermal Printer
25	TDM-30 series	Thermal Printer
26	Alpha-40L series	Thermal Printer
27	Alpha-30L series	Thermal Printer
28	TE210 series	Thermal Printer
29	TE200 series	Thermal Printer
30	TDM-20 series	Thermal Printer
31	TC210 series	Thermal Printer
32	TTP-244CE series	Thermal Printer
33	TA210 series	Thermal Printer
34	TC200 series	Thermal Printer
35	TTP-244 Pro series	Thermal Printer
36	PEX-2000 series	Print Engine
37	DH/TH 220/240 series	Thermal Printer
38	MB241 series	Thermal Printer
39	ML241P series	Thermal Printer

Note : The equipment under evaluation is marked the conformity label of EN50419 as below.



Print Name: Melson Lai

Title: Quality Dept. / Manager

Signature: Melson lai

Date: March 20th, 2024