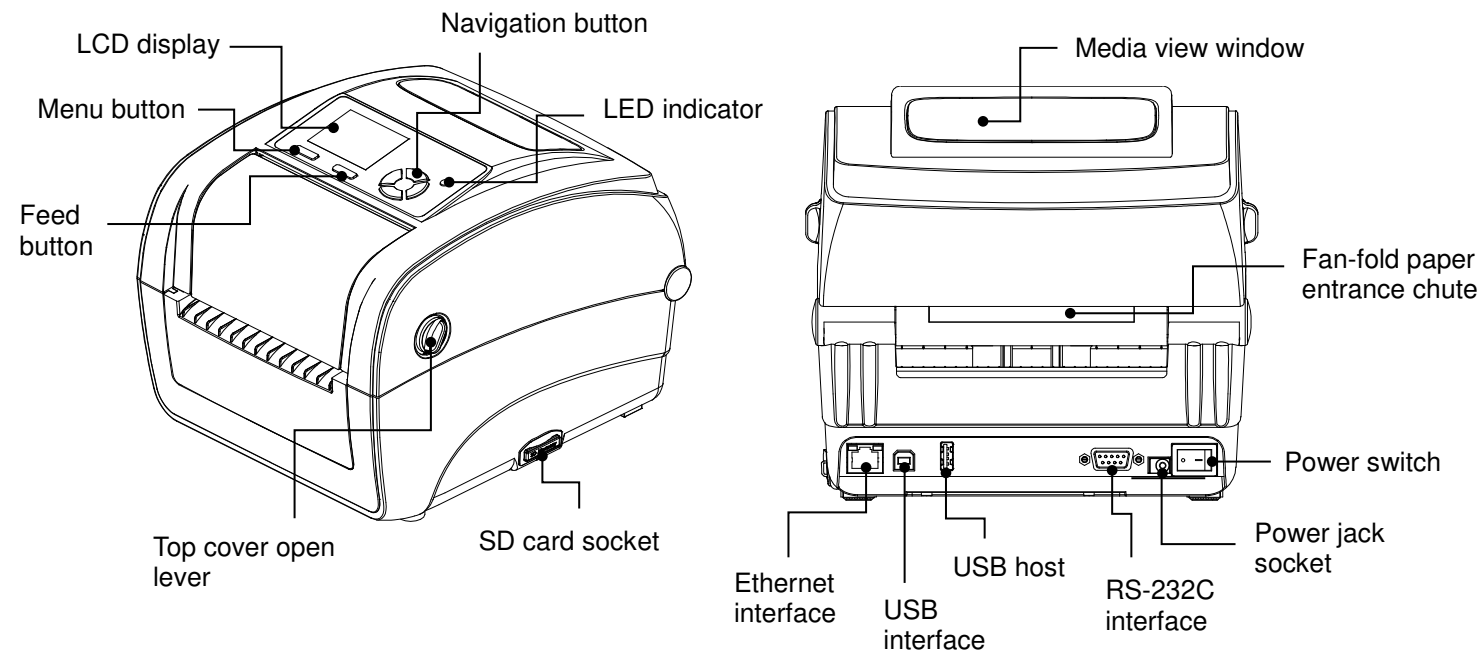
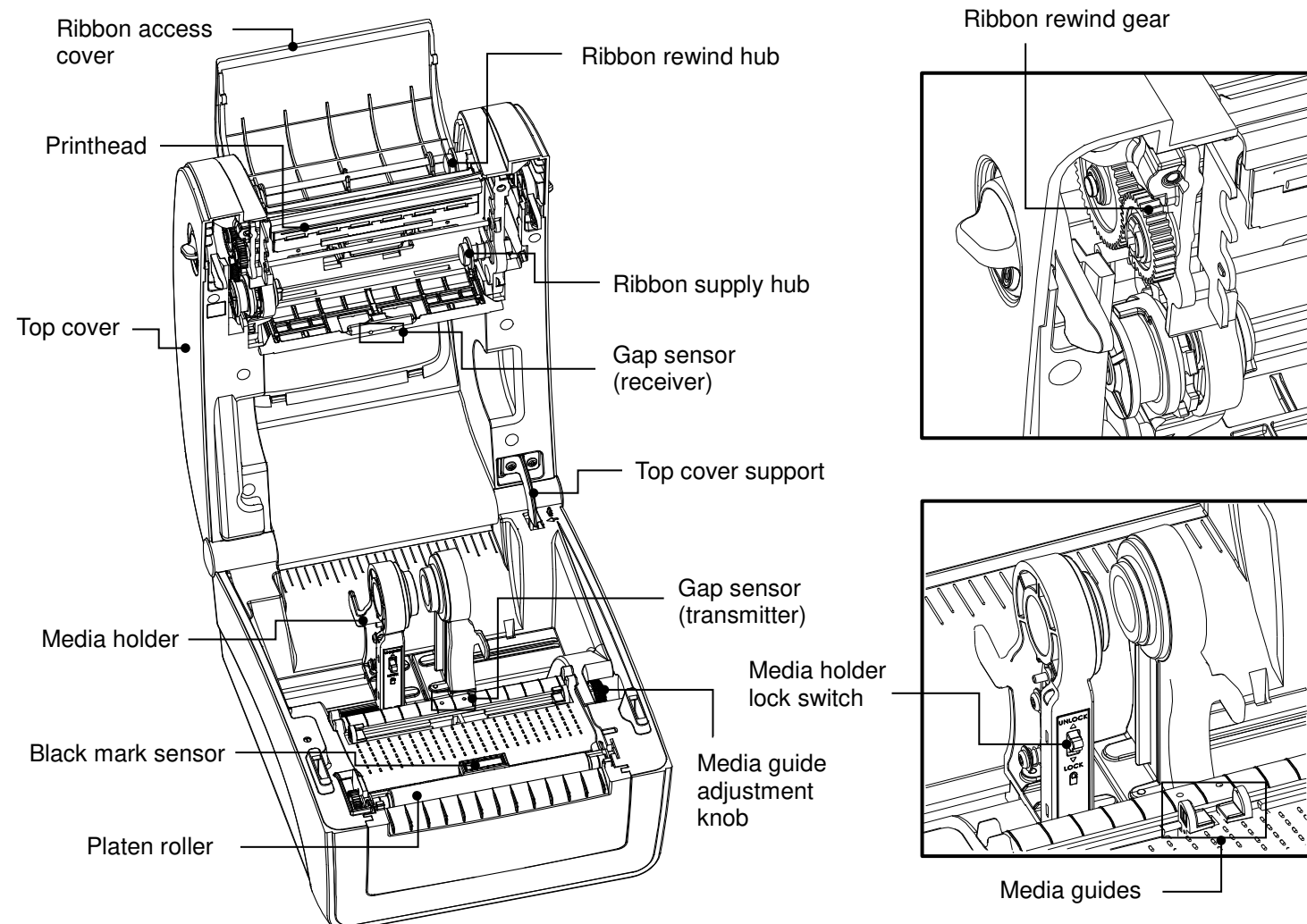


Quick Installation Guide

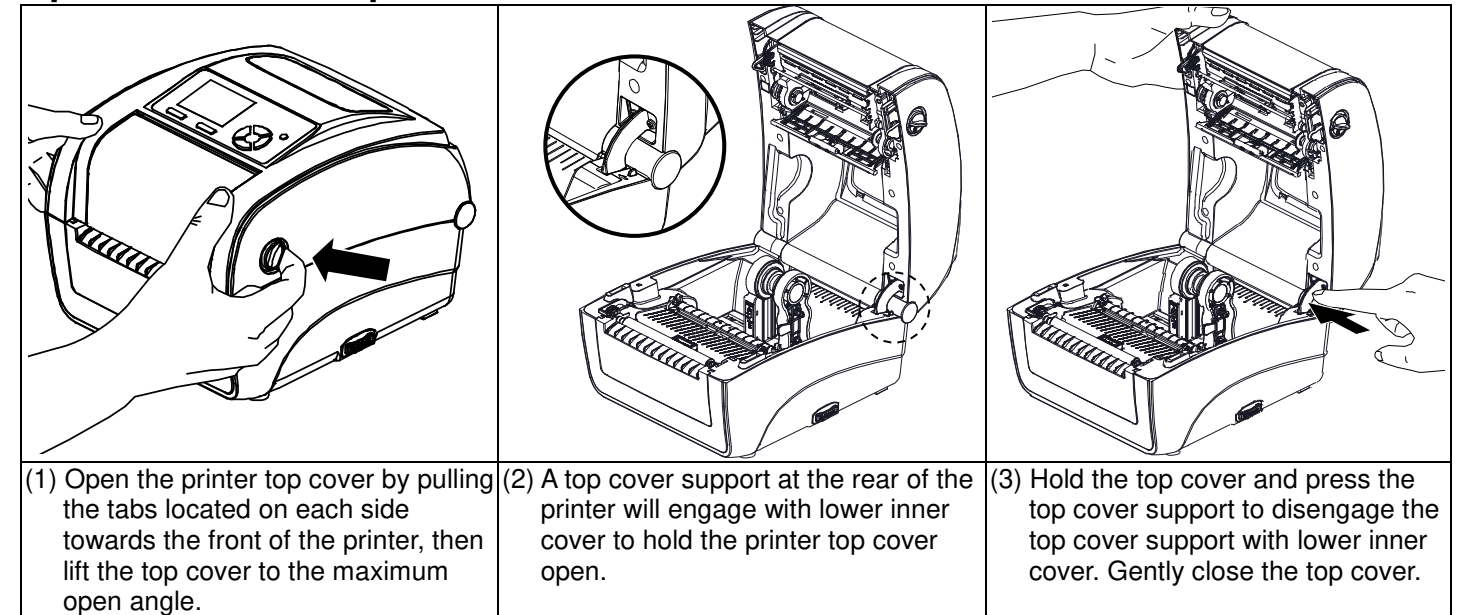
Printer Overview



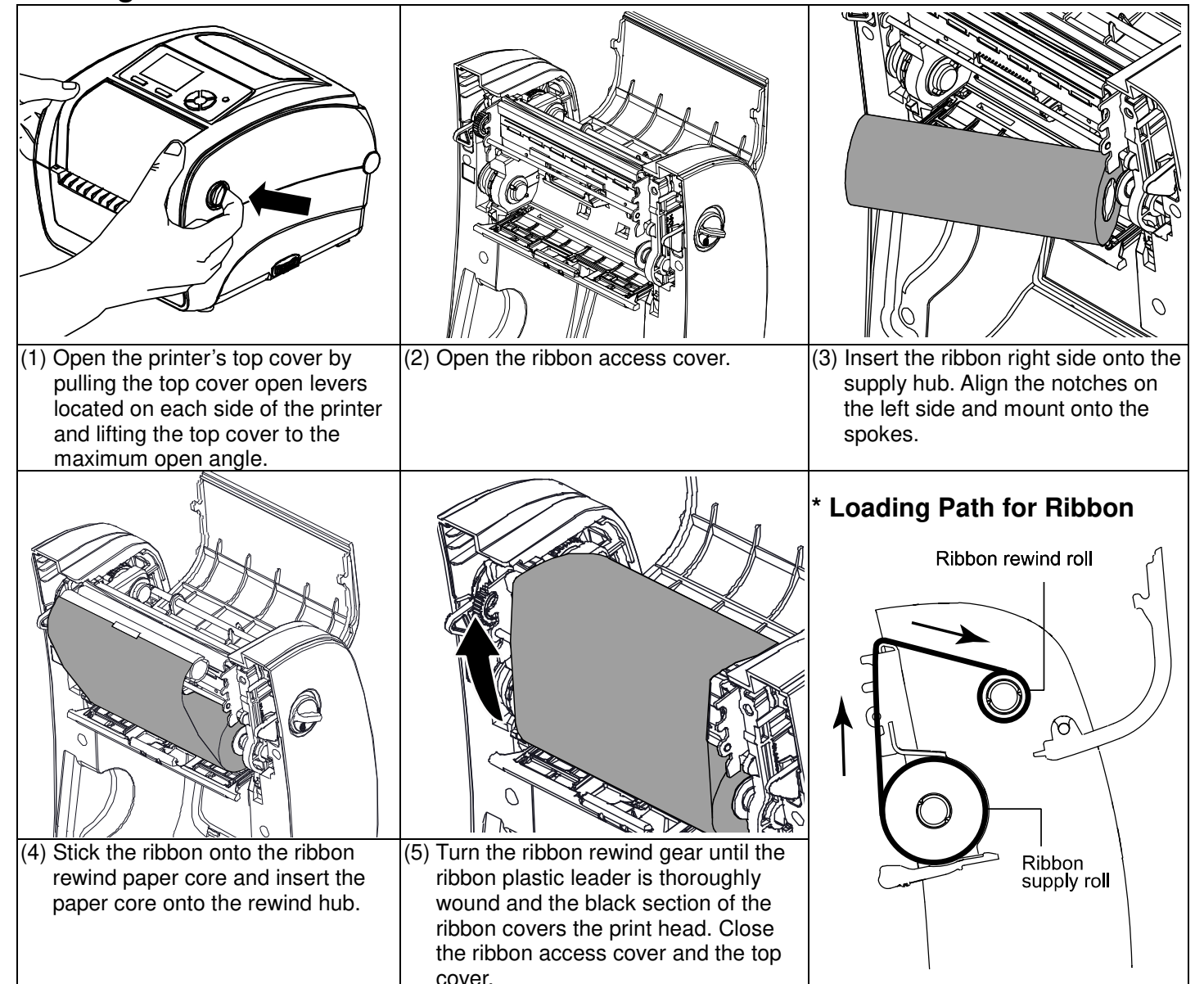
Note:
The interface picture here is for reference only. Please refer to the product specification for the interfaces availability.



Open / Close the Top Cover



Loading the Ribbon



Loading the Media

(1) Open the printer top cover by pulling the tabs located on each side towards the front of the printer, then lift the top cover to the maximum open angle.

(2) Separate and hold open the media holders.

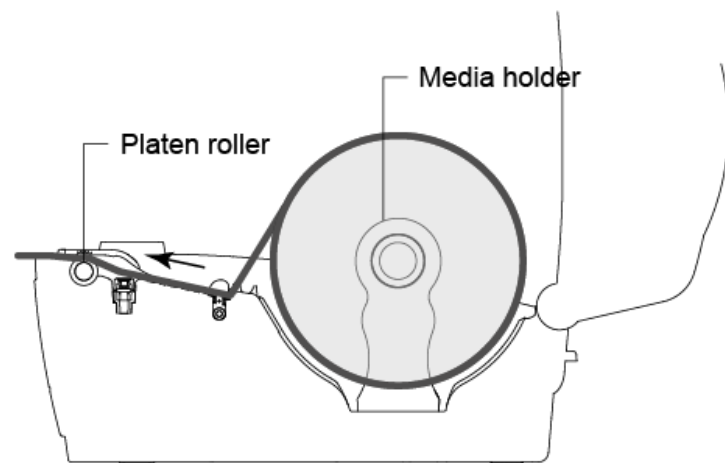
(3) Place the roll between the holders and close them onto the core. Press down the media holder lock switch to hold the label roll firmly.

(4) Place the paper, printing side face up, through the media sensor and place the label leading edge onto the platen roller.

(5) Move the media guides to fit the label width by turning the guide adjuster knob.

(6) Disengage the top cover support and close the top cover gently.

* Loading Path for Media



(7) Use "Menu" button or "Configuration Utility" to set the media sensor type and calibrate the selected sensor. (Start the "Configuration Utility" → Select the "T600" in the list → Click the "Printer Function" button → Click the "Calibrate" button)

Note:
Please calibrate the gap/black mark sensor when changing the media.

Button Functions

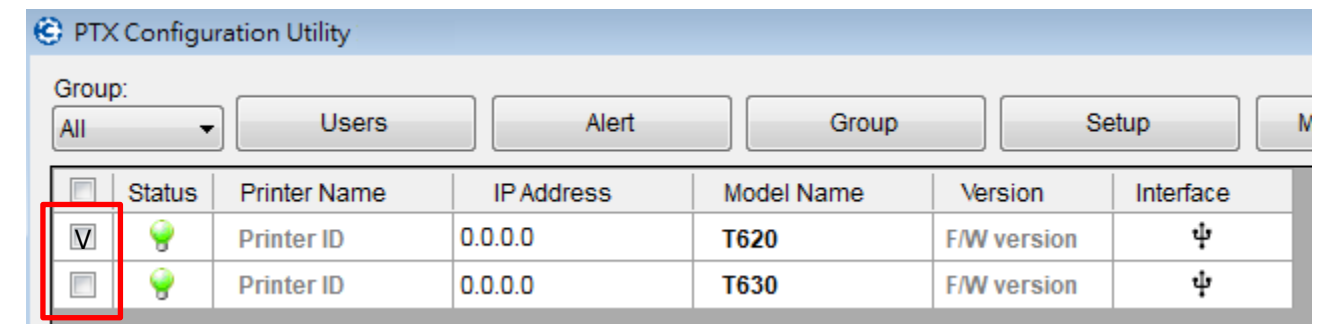
- **Feed button**
 - Feed one label when the printer on ready mode
 - Pause/Resume the printing process
 - Press the button to enter/select cursor located item from a menu
- **Menu button**
 - Enter the menu
 - Exit from a menu or cancel a setting and return to the previous menu
- **Navigation button**
 - Scroll the menu list

Configuration Utility

The PTX Configuration Utility is an integrated tool incorporating features that enable you to explore a printer's settings/status; change a printer's settings; download graphics, fonts and firmware; create a printer bitmap font; and send additional commands to a printer. With the aid of this powerful tool, you can review printer status and settings in an instant, which makes it much easier to troubleshoot problems and other issues.

Start the Configuration Utility:

- (1) Connect the printer and computer with a USB cable.
- (2) Double click on the Configuration Utility icon to start the software.
- (3) The main interface will list all of the printer, including all printer that through USB interface connected to the computer, and all the printer that exist the same subnet with computer.
- (4) Select the printer in the list then click the button to enter the setting page.



(5) The detail functions in the bottom of the main interface are listed as below.



Function	Description
Printer Configuration	This feature is used to set/explore/configure the printer settings. The common setting includes the settings that commonly used for TSPL/EPL2/ZPL/DPL printer languages.
File Manager	File manager feature is to help users to generate the file header, download the file into printer, explore what files are downloaded in printer memory and delete all files in the memory.
Command Tool	The additional features that are not yet supported in the printer management can be achieved by sending out printer commands to printer from the Command Tool.
RTC Setup	This feature is to synchronize printer Real Time Clock with PC.
Printer Function	This feature is used to calibrate the sensor, initialization, ignore AUTO.BAS ... etc.
Bitmap Font Manager	Bitmap font manager is used to convert the selected TTF font into printer format bitmap font. Both fixed pitch and variable pitch bitmap font are supported.

* For more information and features about this printer, please refer to the Admin Manual inside the CD disk.
* Specifications, accessories, parts and programs are subject to change without notice.