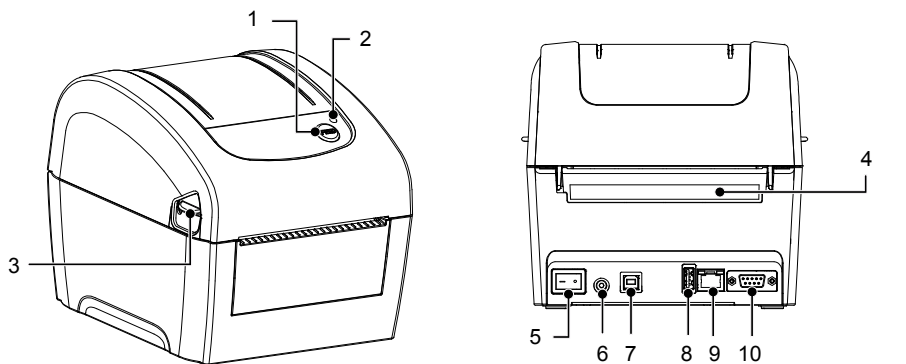
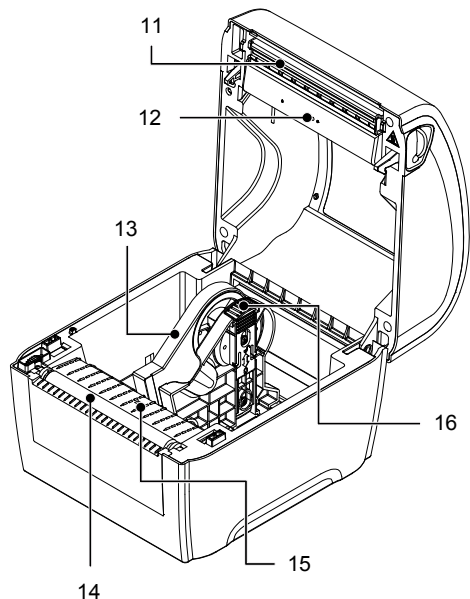


Quick Installation Guide

Printer Overview

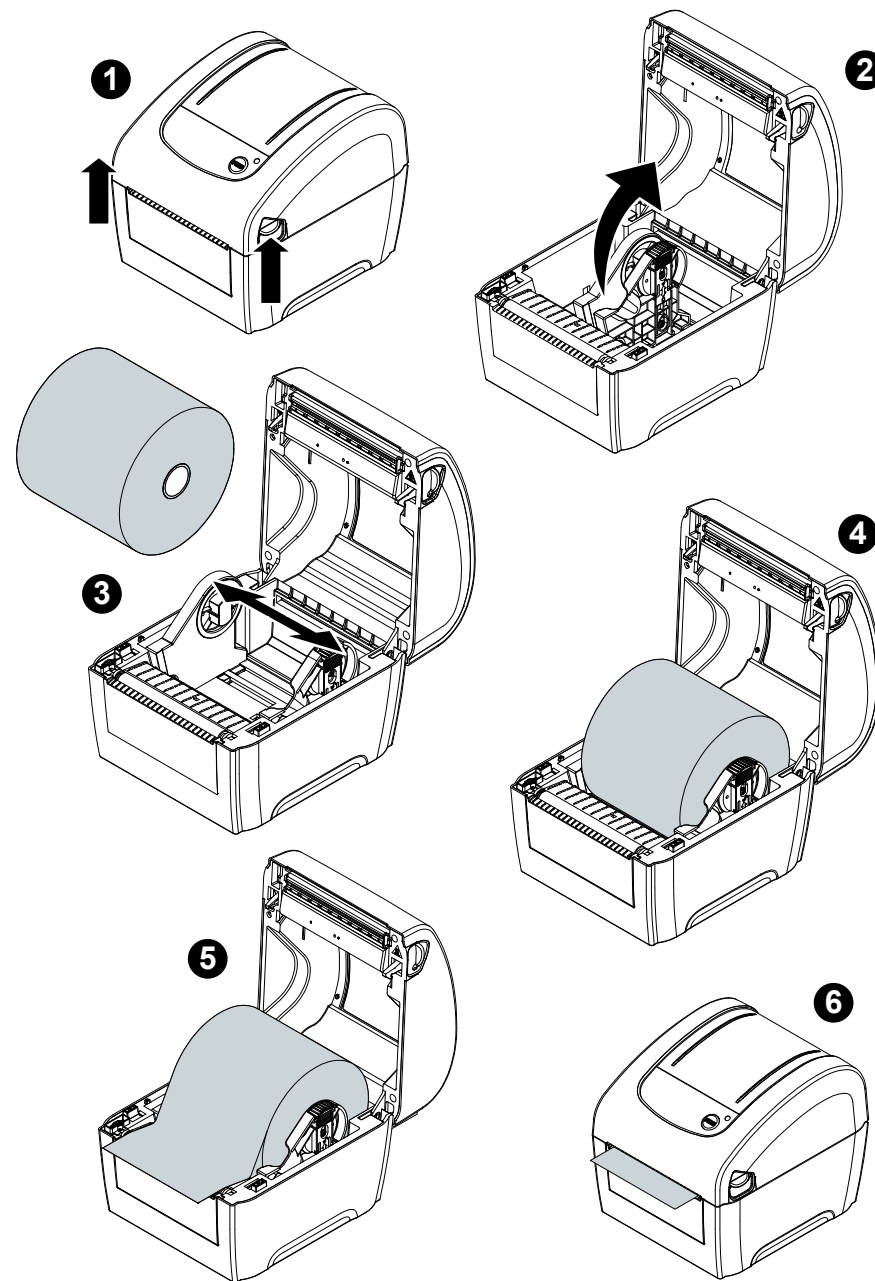


1. Feed button
2. LED indicator
3. Top cover open lever
4. External label entrance chute
5. Power switch
6. Power jack socket
7. USB interface
8. USB host
9. Ethernet interface
10. RS-232C interface
11. Print head
12. Gap sensor (transmitter)
13. Media holder
14. Platen roller
15. Black mark sensor/
Gap sensor (receiver)
16. Media holder lock switch

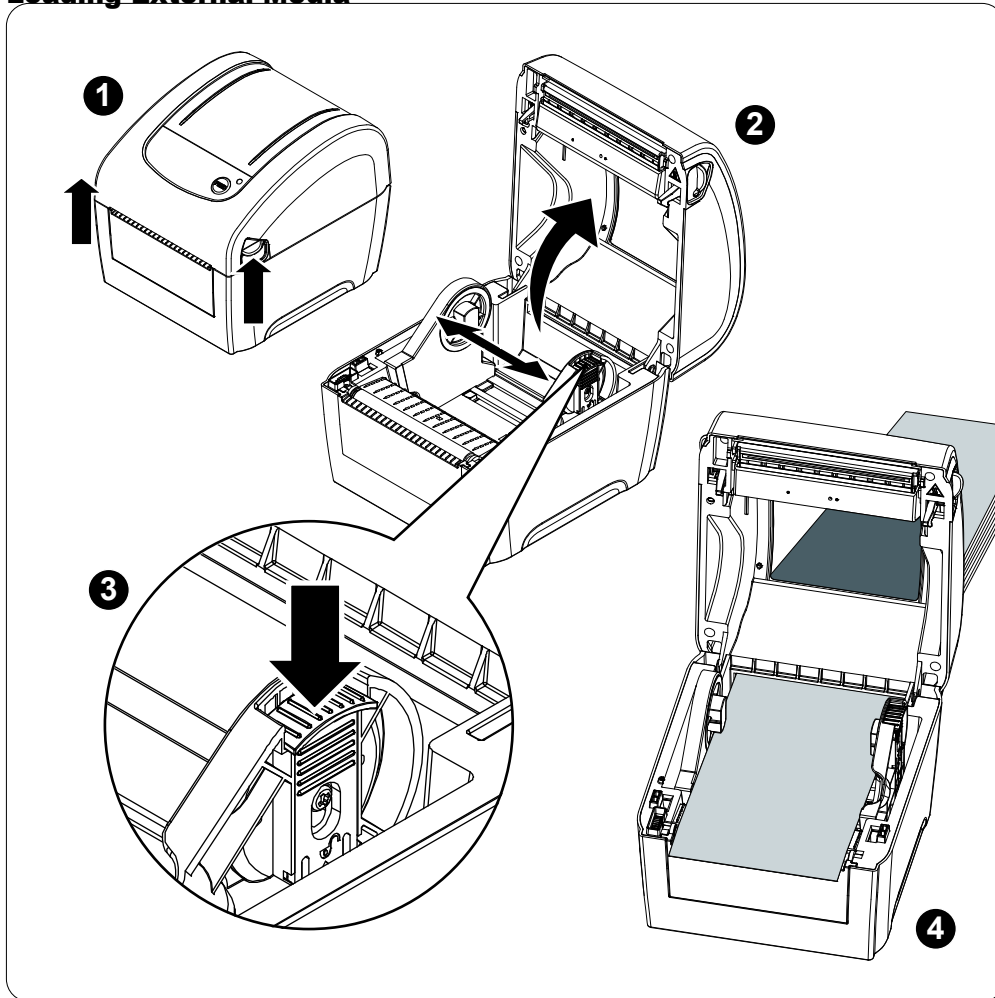


Note:
 The interface picture here is for reference only. Please refer to the product specification for the interfaces availability.

Loading the Media



Loading External Media



Button Functions

(1) Feed labels

When the printer is ready, press the button to feed one label to the beginning of next label.


(2) Pause the printing job

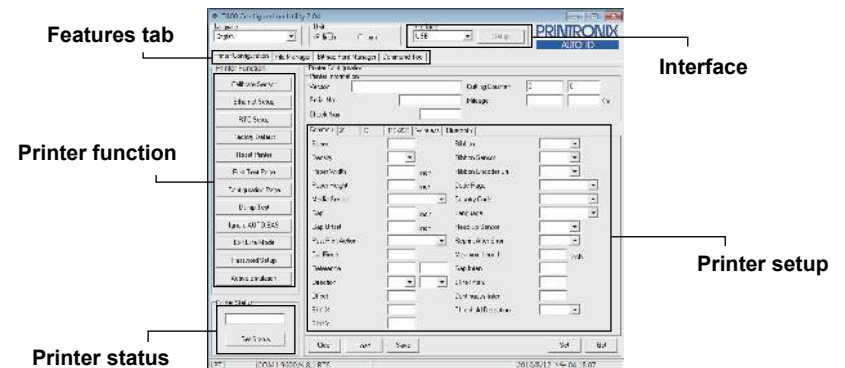
When the printer is printing, press the button to pause a print job. When the printer is paused the LED will blink green. Press the button again to continue the printing job.

Configuration Utility

The T400 Configuration Utility is an integrated tool incorporating features that enable you to explore a printer's settings/status; change a printer's settings; download graphics, fonts and firmware; create a printer bitmap font; and send additional commands to a printer. With the aid of this powerful tool, you can review printer status and settings in an instant, which makes it much easier to troubleshoot problems and other issues.

Start the Configuration Utility:

- (1) Connect the printer and computer with a USB cable.
- (2) Double click on the Configuration Utility icon  to start the software.
- (3) There are four features (Printer Configuration, File Manager, Bitmap Font Manager, Command Tool) included in the Configuration Utility.



- (4) Click the "Printer Function" button to setup. The detail functions in the Printer Function Group are listed as below.

Printer Function	Description
Calibrate Sensor	Calibrate the sensor specified in the Printer Setup group media sensor field
Ethernet Setup	Setup the IP address, subnet mask, gateway for the on board Ethernet
RTC Setup	Synchronize printer Real Time Clock with PC
Factory Default	Initialize the printer and restore the settings to factory default
Reset Printer	Reboot printer
Print Test Page	Print a test page
Configuration Page	Print printer configuration
Dump Text	To activate the printer dump mode
Ignore AUTO.BAS	Ignore the downloaded AUTO.BAS program
Exit Line Mode	Exit line mode
Password Setup	Set the password to protect the settings
Active Emulation	Select ZPL or CPCL emulation



Note:

* **For more information and features about this printer, please refer to the User's Manual inside the CD disk.**

* **Specifications, accessories, parts and programs are subject to change without notice.**