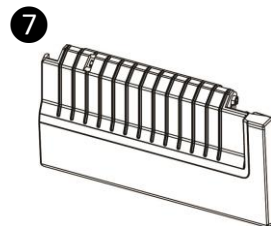
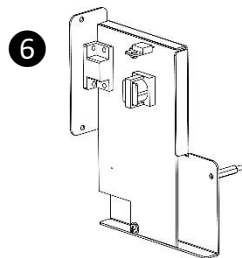
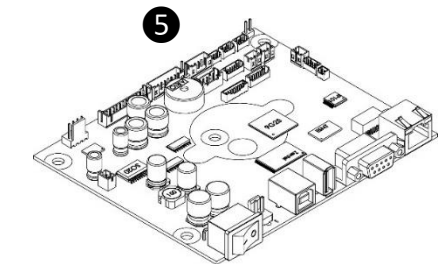
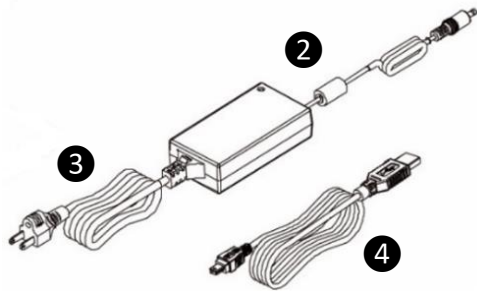
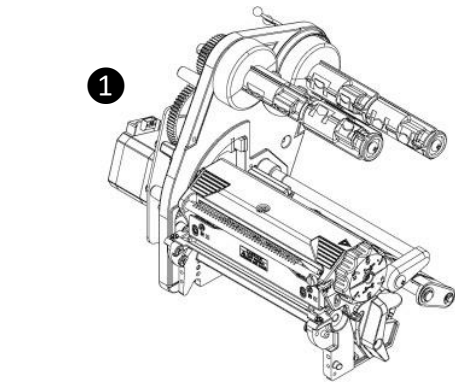


# MB240/ MB340/ MB240T/ MB340T Series

## Print Engine User's Setup Guide

### Option items for print module:

No.	Description	Remark
1	Print module (203 dpi) without main board, power supply unit and power cord	1 pc
	Print module (300 dpi) without main board, power supply unit and power cord	1 pc
2	Power supply	1 pc
3	Power cord / US	1 pc
	Power cord / EU	1 pc
	Power cord / UK	1 pc
	Power cord / AU	1 pc
	Power cord / JP	1 pc
	Power cord / IN	1 pc
	Power cord / KR	1 pc
	Power cord / CN	1 pc
	Power cord / TW	1 pc
4	USB cable (1500 mm)	1 pc
5	Main board assembly	1 pc
6	GPIO interface assembly (Factory option)	1 pc
7	Peel-off module panel (with cable)	1 pc

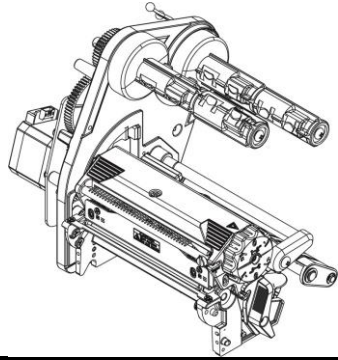


### Specification

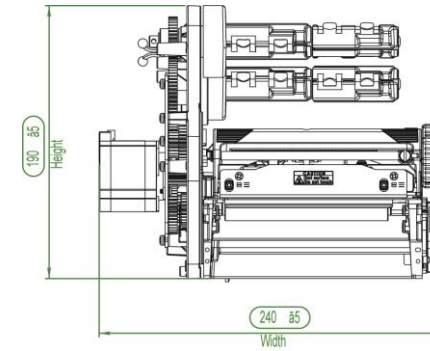
Product option feature			
Print Module	Resolution	8 dots/mm (203 dpi)	12 dots/mm (300 dpi)
	Max. print speed	254 mm (10")/second	177 mm (7")/second
	Max. print width	108 mm (4.25")	105.7mm (4.16")
	Physical dimension	241.0 mm (W) x 168.0 mm (L) x 190.0 mm (H) (9.49" (W) x 6.61" (L) x 7.48" (H))	
	Weight	2.5 kg (5.51 lbs)	
Platform	Memory	128 MB Flash memory, 128 MB SDRAM	
	Interface	USB2.0, RS-232, Internal Ethernet 10/100 Mbps, USB Host	
	Real time clock	Option	
	Buzzer	Standard	
	Power Supply	Input	AC 100-240V, 2A, 50-60Hz
Output		DC 24V, 3.75A, 90W	
Supported Media	Media type	Continuous, die-cut, black mark, fan-fold, notch	
	Media wound type	Outside wound	
	Media width	20 ~ 120 mm (0.8" ~ 4.7")	
	Min. media length	5 mm (0.2")	
	Media thickness	0.06 ~ 0.28 mm (2.36 ~ 11 mil)	
Support Ribbon	Ribbon type	WAX, RESIN, WAX-RESIN	
	Wound type	Ink coated outside or inside	
	Ribbon width	40 mm ~ 110 mm (1.6" ~ 4.3")	
	Ribbon capacity	450 m long, max. OD 81.3 mm, 1" core	
Accessory	<ul style="list-style-type: none"> <li>■ GPIO board (DB15F)</li> <li>■ Peel off kit</li> <li>■ Cutter</li> </ul>		

Dimension (unit: mm)

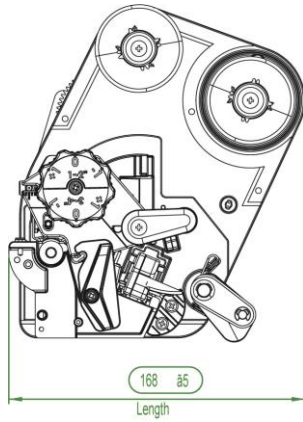
Appearance



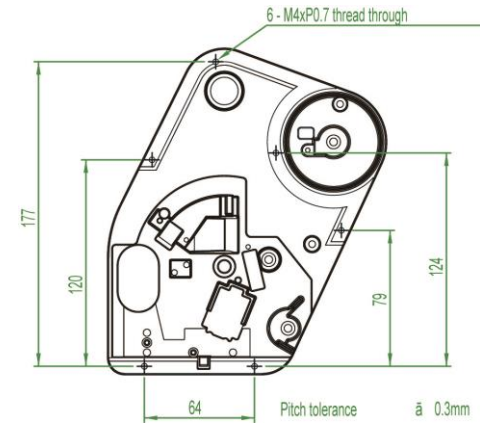
Front view



Side view



Located screw thread position



PCBA Dimension

