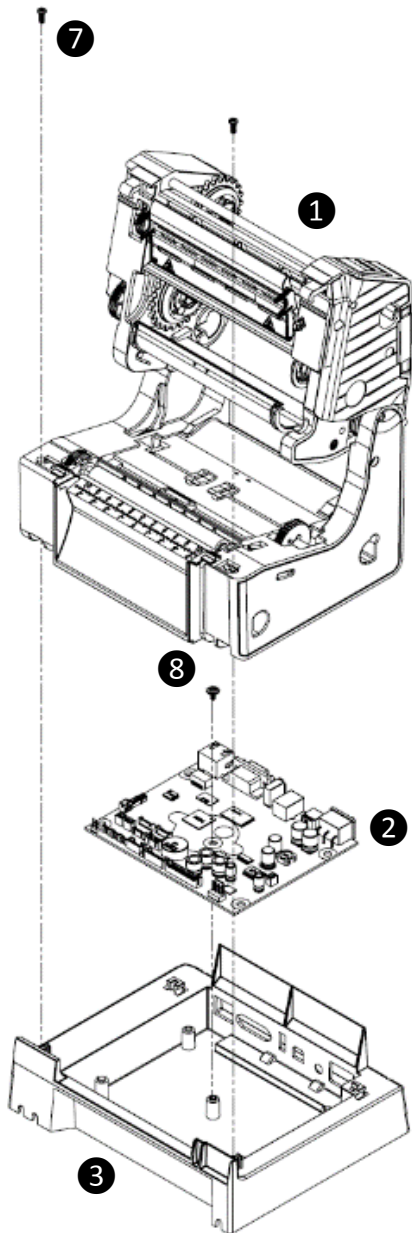
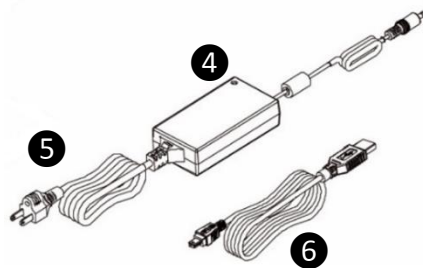


TE210/TE310 Series Print Module User's Setup Guide



Option items for print module:

No.	Description	Remark
1	Print module (203 dpi) without PCBA, power adaptor and power cord	1 pc
	Print module (300 dpi) without PCBA, power adaptor and power cord	1 pc
2	Main board assembly	1 pc
3	Print engine module base frame	1 pc
4	Power supply	1 pc
5	Power cord / US	1 pc
	Power cord / EU	1 pc
	Power cord / UK	1 pc
	Power cord / AU	1 pc
	Power cord / JP	1 pc
	Power cord / IN	1 pc
	Power cord / KR	1 pc
	Power cord / CN	1 pc
6	USB cable (1500 mm)	1 pc
	Screw, TP3*8	2 pcs
8	Screw, TP3*6	1 pc

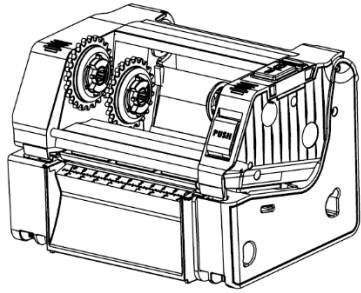


Specification

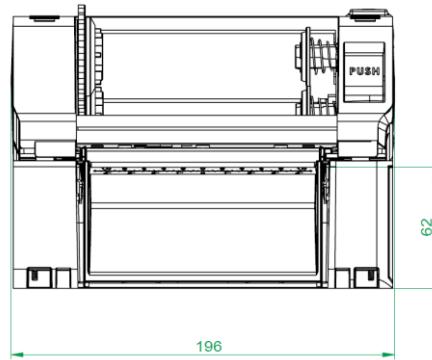
Print Module	Resolution	8 dots/mm (203 DPI)	12 dots/mm (300 DPI)
	Max. print speed	152.4 mm (6")/second	127 mm (5")/second
	Max. print width	108 mm (4.25")	105.7 mm (4.16")
	Physical dimension	196.0 mm (W) x 161.0 mm (L) x 145.0 mm (H) (7.72" (W) x 6.34" (L) x 5.71" (H))	
	Weight	1.43 kg (3.15 lbs)	
Platform	Memory	128 MB Flash memory, 64 MB SDRAM	
	Interface	USB2.0, RS-232, Internal Ethernet 10/100 Mbps, USB host	
	Real time clock	Option	
	Buzzer	Standard	
Power Supply	Input	AC 100-240V, 2.5A, 50-60Hz	
	Output	DC 24V, 2.5A, 60W	
Supported Media	Media type	Continuous, black mark, die-cut, notched, fan-fold	
	Media wound type	Outside wound	
	Media width	20 ~ 112 mm (0.8" ~ 4.4")	
	Min. media length	5 mm (0.2")	
	Media thickness	0.06mm ~ 0.19 mm (2.36 ~ 7.48 mil)	
	Supported Ribbon	Ribbon type	WAX, RESIN, WAX-RESIN
Wound type		Outside wound	
Ribbon width		40 ~ 110 mm (1.6" ~ 4.3")	
Ribbon capacity		300 m long, max. OD 67 mm, 1" core (ink coated outside) 110 m long, max. OD 40 mm, 0.5" core (ink coated outside)	
Accessory	Standard	<ul style="list-style-type: none"> ■ 1" label spindle, fixing tab x 2, 1.5" adapter x 2 ■ 1" ribbon spindle x 2 for 300M ribbon ■ 1" ribbon paper core 	
	Optional	<ul style="list-style-type: none"> ■ Peel-off module ■ Guillotine cutter (full cut and partial cut) ■ External roll mount, media OD. 214 mm (8.4") with 76.2 mm (3") core 	

Dimension (unit: mm)

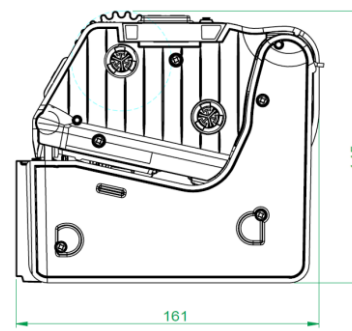
Without PCBA base



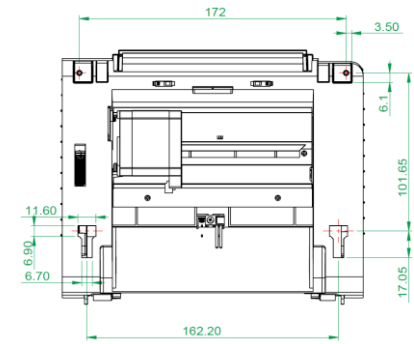
Front view



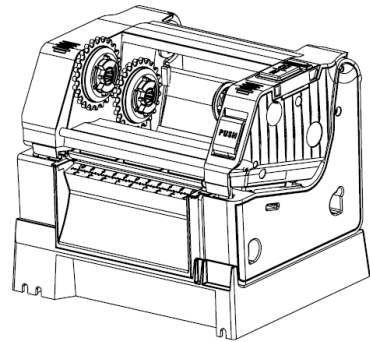
Side view



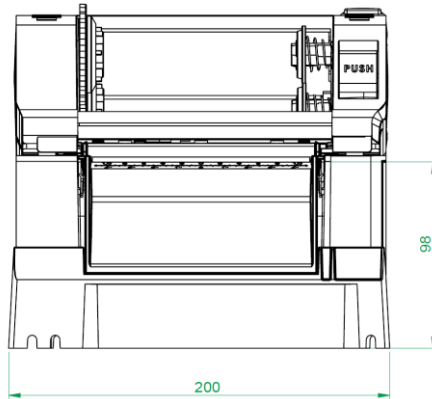
Bottom view



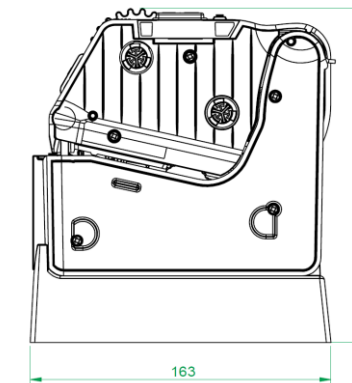
With PCBA base



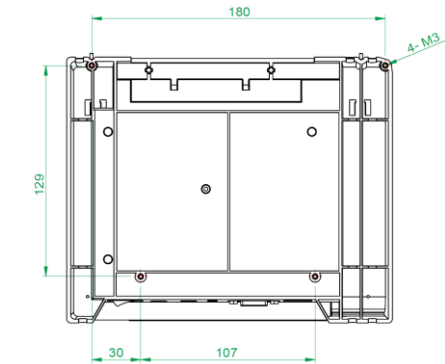
Front view



Side view



Bottom view



PCBA Dimension

